

50MM FACE FIX JOIST HANGER



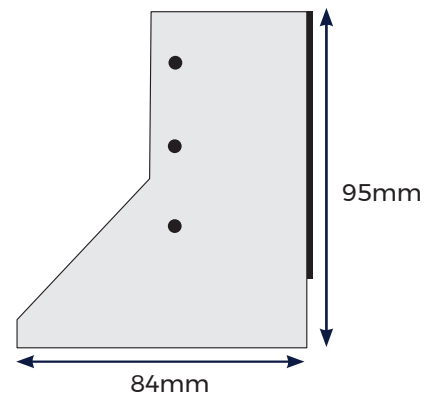
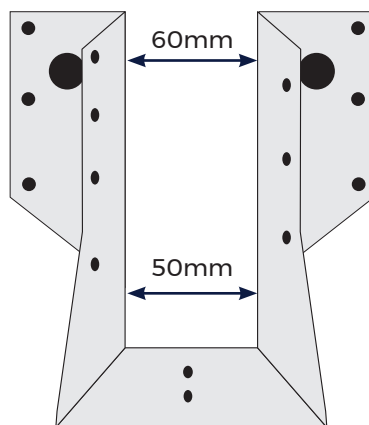
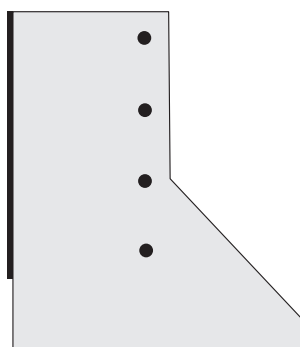
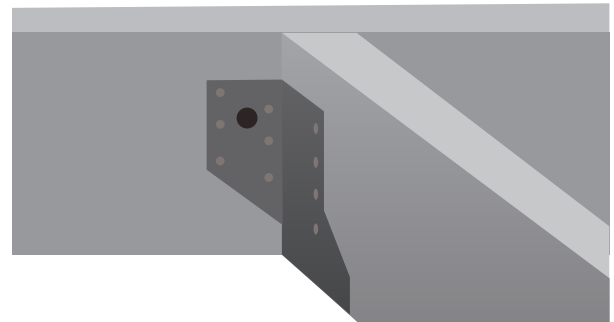
Cladco Face Fix Joist Hangers are manufactured from 2mm thick galvanised mild steel for added support and strength to your Decking subframe. Each Joist Hanger features 6mm and 12mm fixing holes for optimum stability.

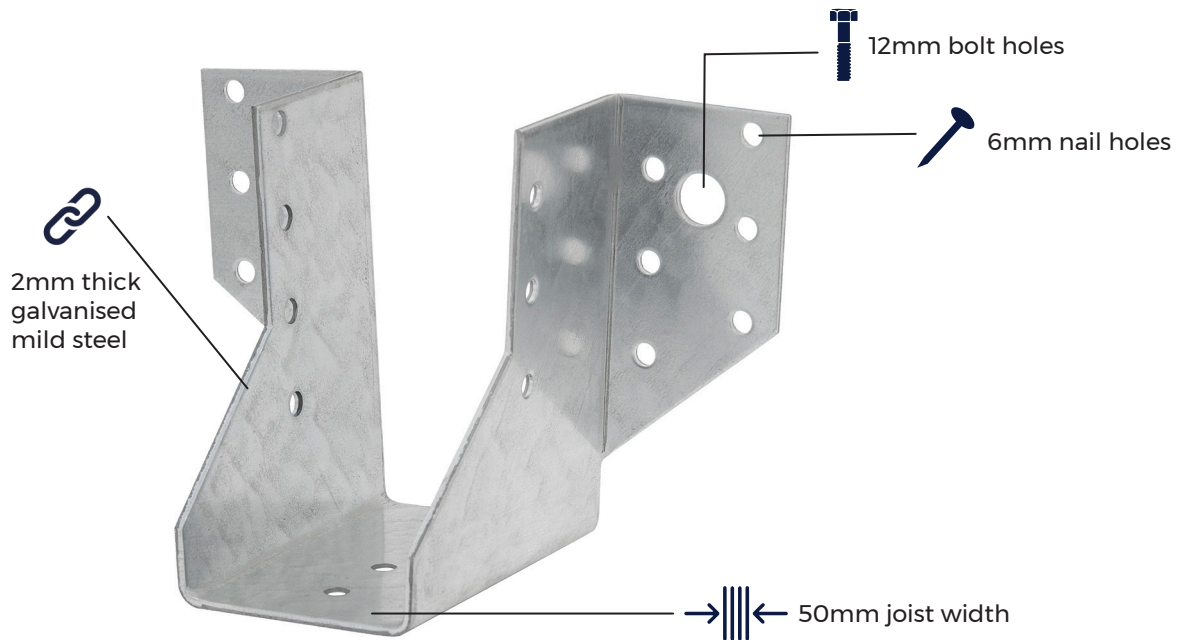
COLOUR RANGE

GALVANISED

SPECIFICATIONS

Gap Width	50mm
Height	95mm
Thickness	2mm





MATERIALS

Joist Hangers are made from 2mm galvanised mild steel for increased durability.



RESISTANCE

The high-quality galvanised steel material protects against water and rust damage.



ACCESSORIES

When using Timber Joists, Frame Protection Deck Tape can be applied to protect cut ends and joints.



LOW MAINTENANCE

Cladco Face Fix Joist Hangers require little to no maintenance once installed correctly.



LONG LASTING

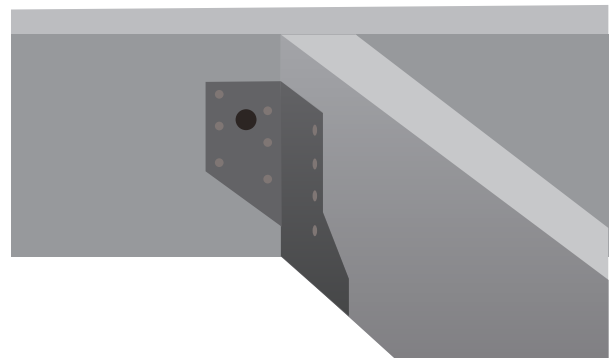
Galvanised mild steel protects from rust and corrosion for a long-lasting Decking subframe.

INSTALLATION ADVICE

Install using 30mm x 3.75mm Square Twist Nails. 12mm bolt holes are also included in the Hangers for added stability.

The hanger depth must be at least 60% of the depth of the supported member to prevent rotation unless additional lateral restraint is applied to the top of the supported member.

We recommend filling all the holes in each Hanger for the best support using the correct size fixings.

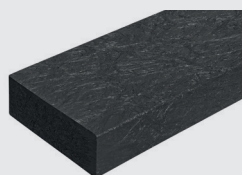


For detailed information about installation, please read our Decking Installation Guides.

PRODUCT ACCESSORIES



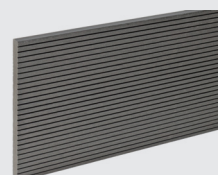
TIMBER JOIST



RECYCLED PLASTIC JOIST



TIMBER POST



FASCIA BOARD



SQUARE TWIST NAILS