

BALUSTRADE HANDRAIL END CAP



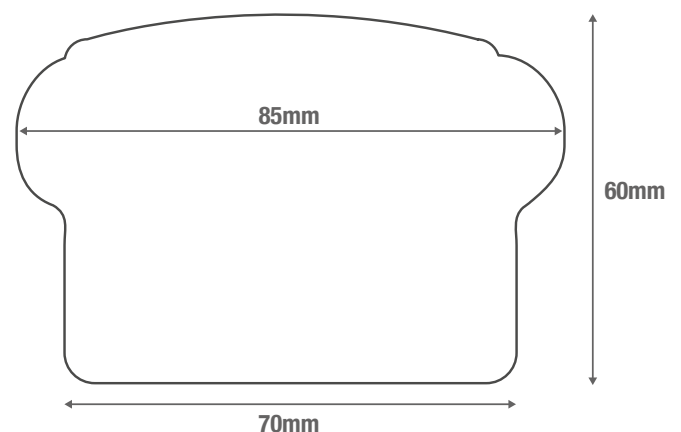
Cladco Balustrade Handrail End Caps are used to seal the ends of Balustrade Handrails. As well as creating this appealing finish, the Cap adds stability and protection to the edge of the Balustrade Handrail. It is also easily installed, making it a simple and beneficial addition to Balustrade Handrail systems.

COLOUR RANGE

BLACK

CAP SPECIFICATIONS

Height	60mm
Width	85mm
Thickness	10mm
Material	Flexible Rubber





Easy To Install
Using Adhesive



Manufactured
From A Flexible
Material



Durable And
Long-Lasting Finish



MATERIALS

Made from durable and flexible rubber for a neat finish to Balustrade Handrails.



SURFACES

Clean and smooth finish to complete your installation.



ACCESSORIES

Balustrade End Caps can be installed as is, or adhesive. The CTI Adhesive is recommended.



LOW MAINTENANCE

The End Cap is low maintenance and can be easily cleaned by simply wiping it down if it gets dusty or dirty.



LONG LASTING

The material makes the End Caps a long lasting addition to your Balustrade Handrail.

PRODUCT ACCESSORIES



BALUSTRADE
HANDRAIL



BALUSTRADE
HANDRAIL GATE



BALUSTRADE
HANDRAIL POST



BALUSTRADE
MAGNETIC LATCH



BALUSTRADE SELF-
CLOSING HINGES